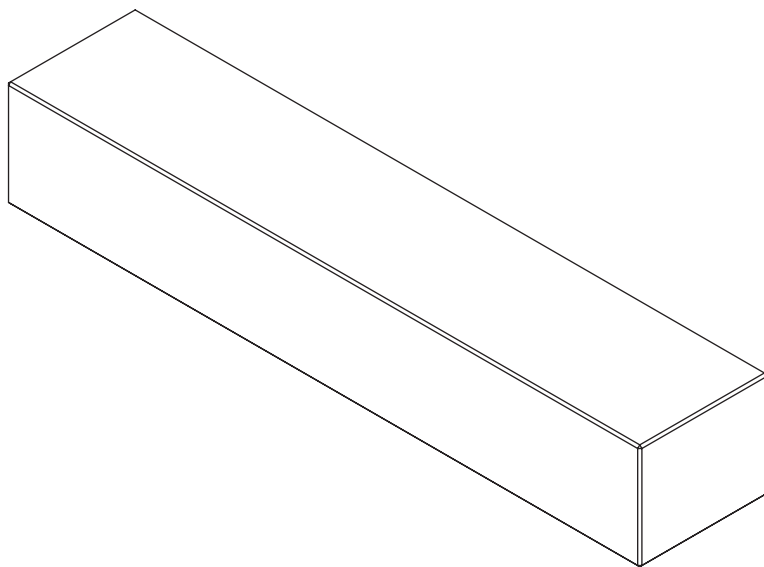


Audo

COPENHAGEN



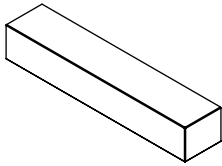
PLINTH SHELF

Designed by *Norm Architects*

Congratulations on your new PLINTH SHELF
designed by *Norm Architects*. We hope you will
enjoy using this item and follow these instructions
to ensure correct installation. These instructions
are provided for your safety.

It is important that the instructions are read carefully
and completely before assembling.

Component Overview



1 x Plinth Shelf



1 x Wall mount



4 x Screws



4 x Rawplugs

Caution

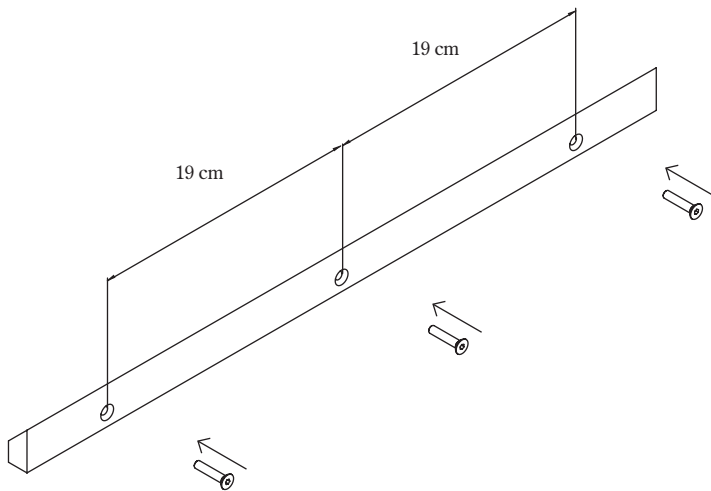
Use screws and wall plugs that are suitable for the walls in your home. If you are uncertain as to which types of screws/wall plugs to use, you should ask your DIY store.

If the Plinth shelf is mounted according to the assembly instruction, and the recommendations of screws and wall plugs, it can handle **up to 8 kg**.

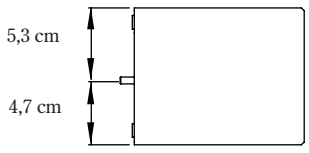
Care and maintenance

Please see care instructions on www.audocph.com.

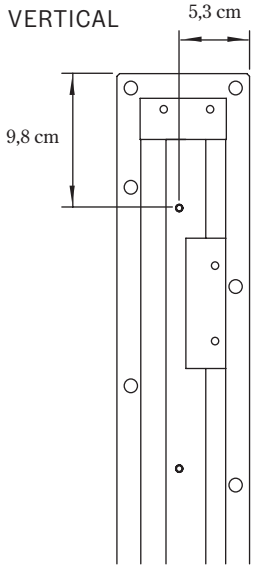
1



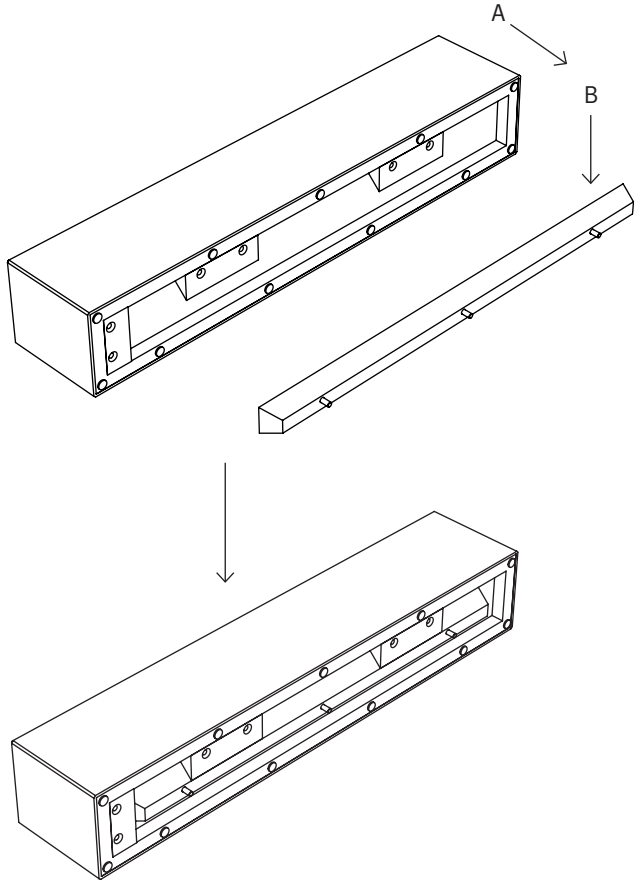
HORIZONTAL



VERTICAL



HORIZONTAL



VERTICAL

